

# KS8000

## Multi-picture splicing processor(3U)

Version: v3.1

Release date: February 2022



## Specification



TEL 400 159 0808  
Web: [www.kystar.com.cn](http://www.kystar.com.cn)

**Beijing KYSTAR Technology Co.,LTD**

Professional Ultra HD Video Display

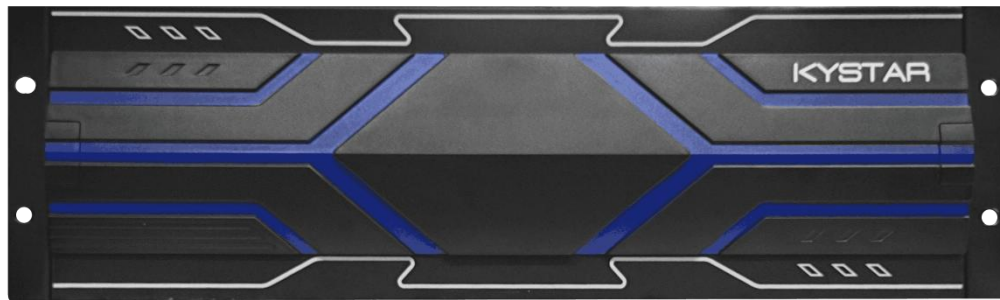
Control system integrated solution and service provider

## Overview

KS8000 is a multi-window splicer for large screen splicing, LCD splicing and other projects. It is a professional video signal processing and control device in the industry.

It adopts the industry's top design technology and meets international and industry standards.

Adopt FPGA pure hardware architecture, without any operating system, the whole system is completely closed, easy to operate and high stability.

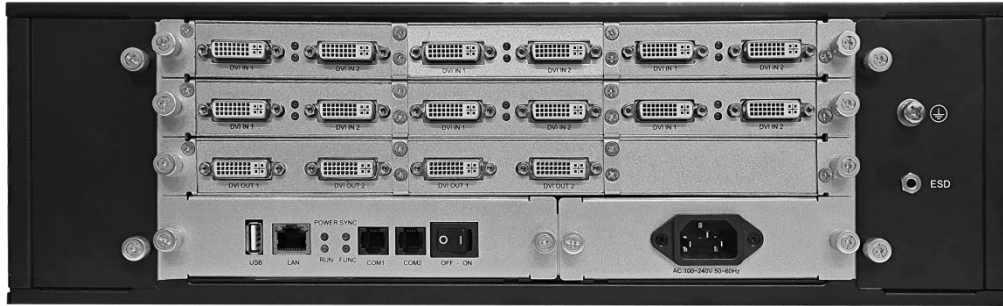


## Functional characteristics

- The output port supports custom resolution within 2.3 megapixels, with a maximum width of 2048 points and a maximum of 1920 points
- LED multi-window splicer, all windows are arbitrarily spliced, cross-screen, overlaid, roamed, and zoomed
- Support straight cut and fade in and out, no black screen, stuttering
- Up to 4 screens for a single output port, up to 8 screens for a single input board
- CrossInt stitching processing technology effectively eliminates stitching misalignment and out-of-sync
- Flexible board design, a single board can support a variety of signal mixing and matching
- Up to 200 modes can be supported
- Support multi-machine splicing cascading
- Performs an arbitrary partial interception of the signal source
- Based on FPGA array, pure hardware architecture, multi-power redundant backup (optional), no system crash risk, 24×365 uninterrupted operation

## Port specification

### Rear panel



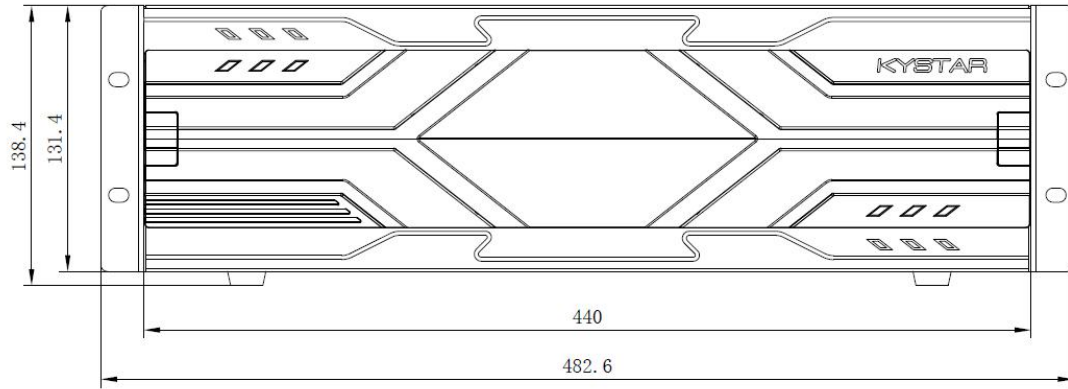
Input port		
Type	Quantity	specification
CVBS (BNC)	5U HD 12max,	NTSC/PAL adaptive, support 3D comb filter
VGA		VESA standard, maximum support 1920 × 1200@60Hz
DVI-D		1.3 standard, maximum support 1920 × 1200@60Hz
SDI (BNC)		Support SD/HD/3G-SDI
HDMI		Maximum support resolution is 1920×1200@60Hz, support custom resolution
HDMI (1.4)		1.4A standard, maximum support 3840×2160@30Hz

Output port		
Type	Quantity	specification
DVI-I	24max	Custom output resolution (bandwidth optimization): Single channel horizontal resolution up to 2048 pixels; single channel vertical resolution up to 1920 pixels
DVI-I	2	Monitor output with a resolution of 1920 × 1080@60Hz

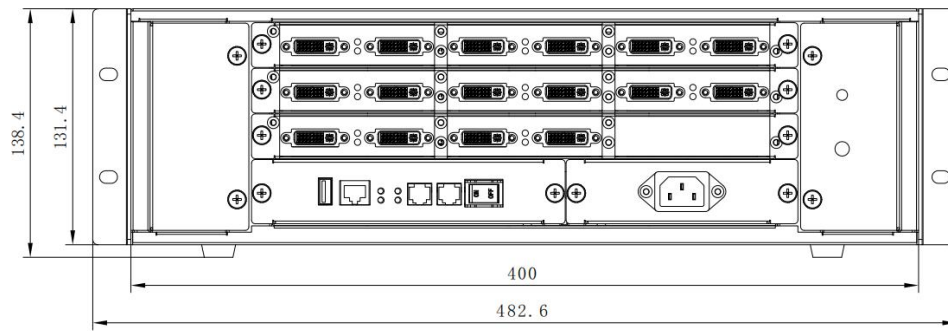
Control port		
Types	Quantity	specification
RJ11 (RS-232)	2	Data transfer rate is 50, 75, 100, 150, 300, 600, 1200, 2400, 4800, 9600, 19200, 38400, 57600, 115200 (BT)
RJ-45	1	100M

Machine specification	
Input power	100-240V AC~50/60Hz 0.6A
Operating temperature	0-45°C
Dimensions	482.6×315.7×138.4mm (L×W×H)
net weight	10KG
Machine power consumption	80W

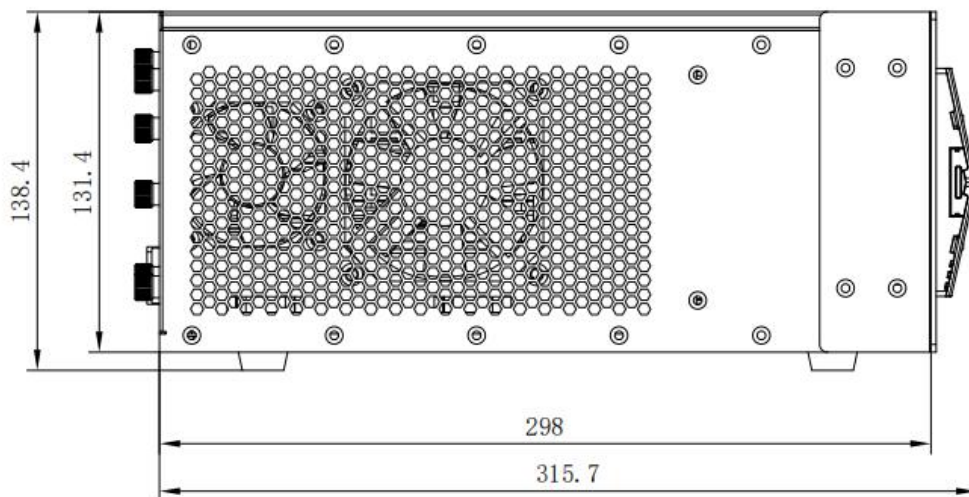
Accessories: Equipment Dimensions



**Front panel size chart**



**Rear panel size chart**



**Side dimension drawing**